

# 工業用縫紉機

## INDUSTRIAL SEWING MACHINE

### B652 曲折、人字型縫紉機



本機適用一般布料、皮料，用于人字縫紉。同時亦可直綫車縫；人字寬度可用膝或手控制；備有自動轉綫器，操作簡單；常用于皮料人字縫和布料綉花。

THIS MACHINE IS SUITABLE FOR GENERAL MATERIALS, EQUIPPED WITH A NEEDLEBAR FIXING MECHANISM TO PREVENT NEEDLE BAR FROM WAVERING, WHICH WILL ALLOW PERFECT ZIGZAG STITCHES AS WELL AS STRAIGHT STITCHES. IT CAN BE ADJUSTED FOR A DESIRED ZIGZAG WIDTH EITHER BY KNEE LIFTER OR MANUAL OPERATION, ALSO HAS A BUILT-IN ZIGZAG MECHANISM AND A BUILT-IN BOBBIN WINDER MECHANISM WHICH IS VERY CONVENIENT TO USE.

#### ※ 規格

SPECIFICATIONS

#### ※ 針號

NEEDLE SYSTEM: DPx5#11-16

#### ※ 最高縫速

SEWING SPEED: MAX.1800s.p.m.

#### ※ 最大縫距

STITCH LENGTH: MAX.5 MM

#### ※ 最大人字縫距

ZIGZAG WIDTH: MAX.12 MM

#### ※ 押脚高度

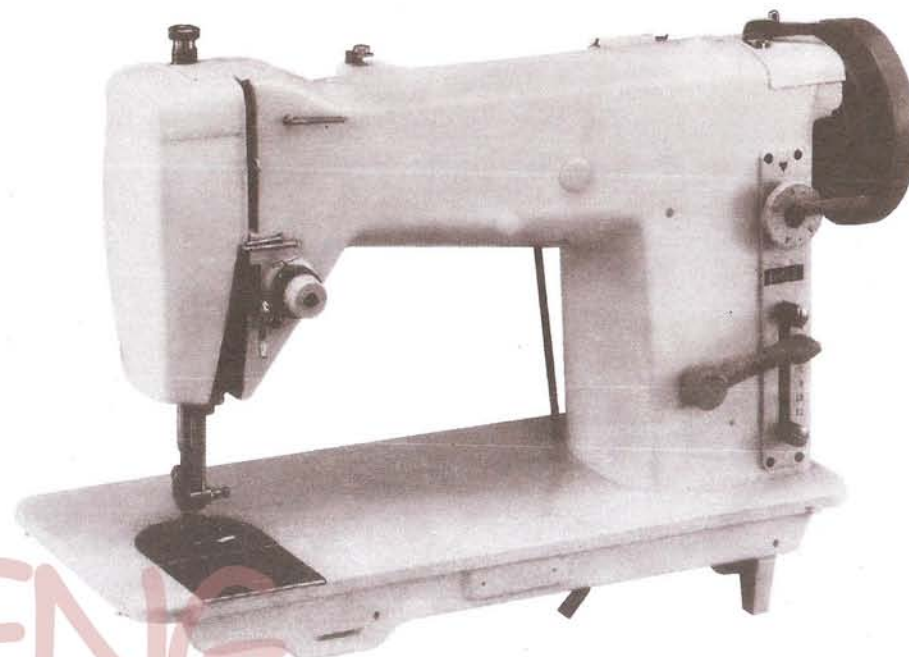
PRESSER LIFT : 6MM

#### ※ 工作空間

WORKING SPACE: 225 MM\*138 MM

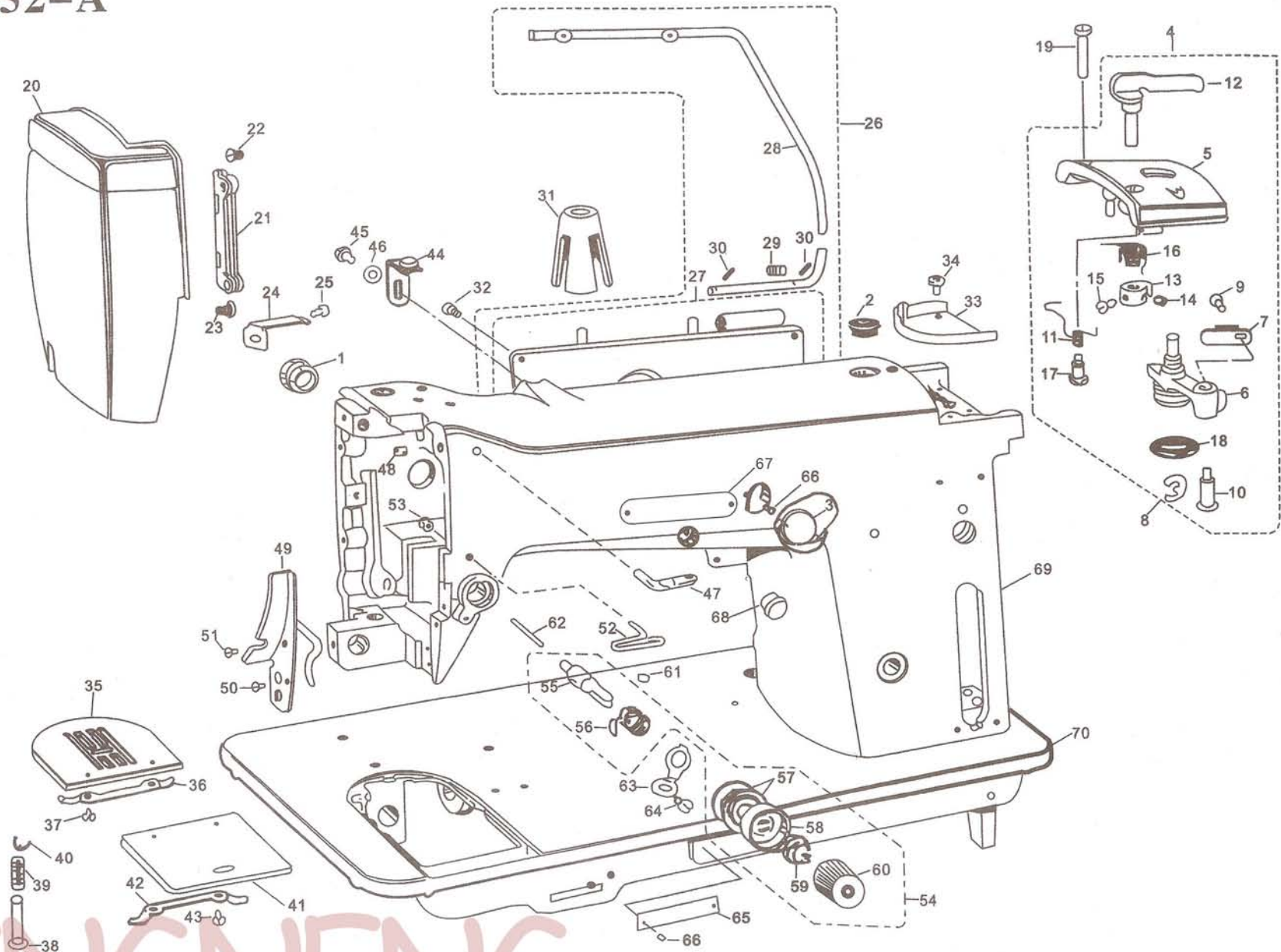
#### ※ 進料方向

FEED DIRECTION: FORWARD & BACKWARD



JINGNENG  
DONGUAN JINGNENG SEWING MACHINERY CO.,LTD

# B652-A



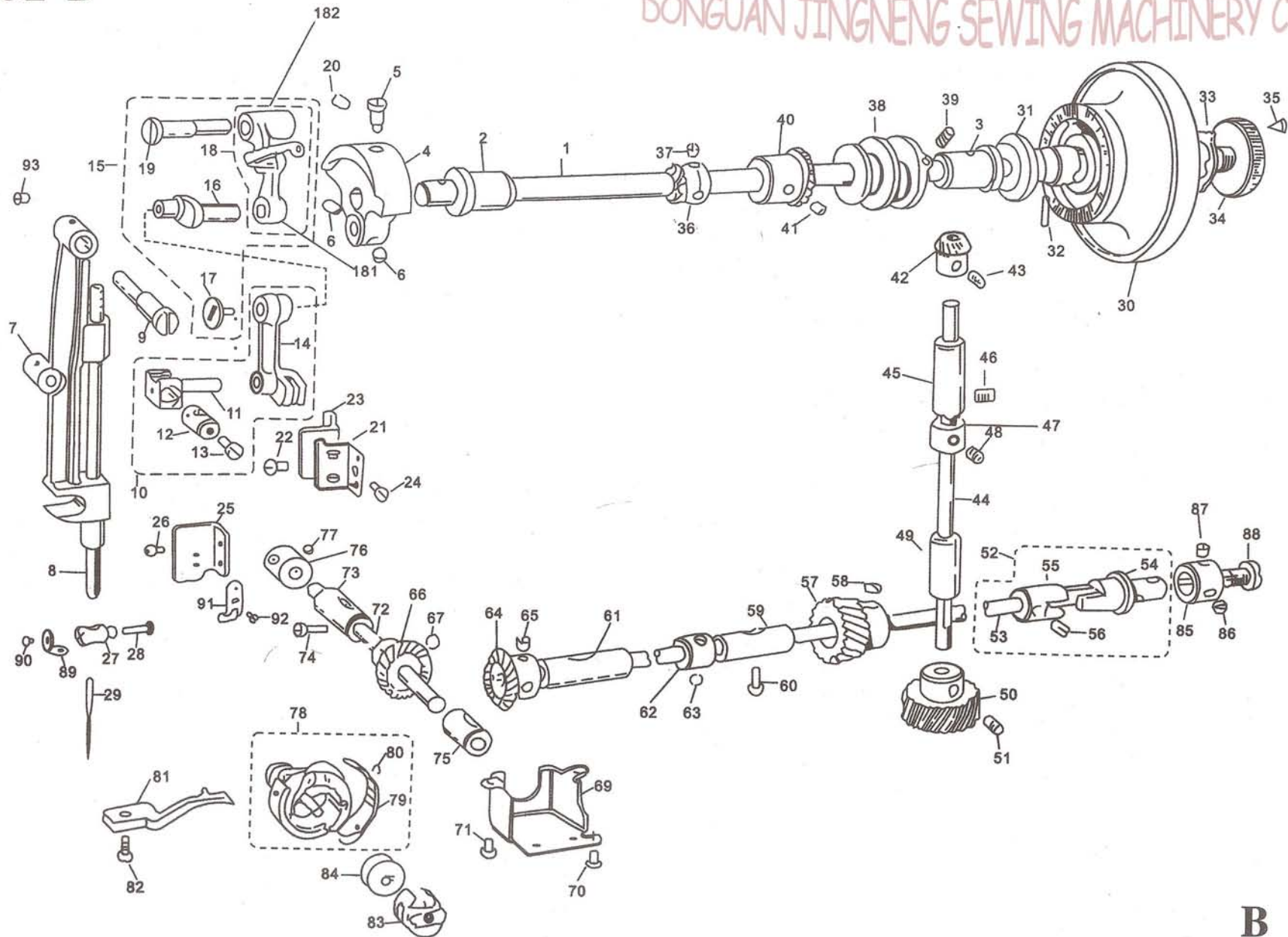
JINGNENG  
DONGUAN JINGNENG SEWING MACHINERY CO.,LTD



Ref.no.	PART no.	Name of part	部品名稱	Amt.req
1	52A-01	Cap.....	螺塞.....	1
2	52A-02	Cap.....	螺塞.....	1
3	52A-03	Cap.....	螺塞.....	2
4	52A-04	Bobbin winder cover assem.....	繞軸轉動覆蓋裝配.....	1
5	52A-05	Bobbin winder cover.....	繞軸轉動蓋.....	1
6	52A-06A	Bobbin winder arm.....	繞軸轉動臂.....	(1)
7	52A-07	Elastic plate.....	鬆緊底片.....	1
8	52A-08	E-ring.....	E扣環.....	1
9	52A-09	Stud screw 3.18.....	螺絲釘.....	1
10	52A-10	Stud screw 4.76.....	螺絲釘.....	1
11	52A-11	Spring.....	彈簧.....	1
12	52A-12	Bobbin holder.....	繞線架.....	1
13	52A-13	Claw for bobbin winder.....	繞軸傳爪.....	1
14	52A-14	Screw 4.37.....	螺絲.....	1
15	52A-15	Screw 4.37x7.....	螺絲.....	1
16	52A-16	Spring.....	彈簧.....	1
17	52A-17	Stud screw 3.57.....	螺絲釘.....	1
18	52A-18	Rubber ring.....	橡皮圈.....	1
19	52A-19	Screw 4.37x20.....	螺絲.....	1
20	52A-20	Face plate.....	盤面.....	1
21	52A-21	Face plate hing assembly.....	盤面厚度裝配.....	1
22	52A-22	Set screw 3.57.....	螺絲.....	2
23	52A-23	Set scerw 3.57x5.....	螺絲.....	2
24	52A-24	Stop sping.....	檔止彈片.....	1
25	52A-25	Set screw 3.57x5.....	螺絲.....	1
26	52A-26A	Rear cover assembly.....	后蓋裝配.....	1
27	52A-27A	Rear coverspool pin assem.....	后蓋固定軸裝配.....	1
28	52A-28	Spool pin.....	過線固定軸.....	1
29	52A-29	Spring.....	彈簧.....	1
30	52A-30	Spring pin.....	彈簧梢.....	2
31	52A-31	Spool cushion.....	軸墊.....	2
32	52A-32	Screw 3.57x6.....	螺絲.....	4
33	52A-33	Bobbin winder lower plate.....	繞軸轉動底板.....	1
34	52A-34	Set screw 3.57x5.....	螺絲.....	2
35	52A-35A	Needle plate(5mm).....	針板(5mm).....	1
36	52A-36	Needle plate spring.....	針板彈簧.....	1

Ref.no.	PART no.	Name of part	部品名稱	Amt.req
37	52A-37	Set screw.....	螺絲.....	2
38	52A-38	Needle plate lifting shaft.....	針板提升軸.....	1
39	52A-39	Spring.....	彈簧.....	1
40	52A-40	Stop ring.....	停止環.....	1
41	52A-41A	Slide plate.....	滑板.....	1
42	52A-42	Slide plate spring.....	滑板彈片.....	1
43	52A-43	Set Screw 2.38.....	上針螺絲.....	2
44	52A-44	Thread guide assembly.....	導線裝配.....	1
45	52A-45	Screw 3.57x6.....	螺絲.....	1
46	52A-46	Washer.....	墊圈.....	1
47	52A-47	Thread retainer.....	過線架.....	1
48	52A-48	Set screw 4.37.....	螺絲.....	1
49	52A-49	Thread guide plate.....	導線板.....	1
50	52A-50	Set screw.....	螺絲.....	1
51	52A-51	Set screw.....	螺絲.....	1
52	52A-52	Tension thread guide.....	調線架.....	1
53	52A-53	Nut 3.18.....	螺帽.....	1
54	52A-54	Thread tensdion assdmdly.....	調線組.....	1
55	52A-55	Tension shud.....	紮緊螺絲.....	1
56	52A-56	Thread teke-up spring.....	導線彈簧.....	1
57	52A-57	Tension disc.....	拉緊盤.....	2
58	52A-58	Tension disc washer.....	拉緊盤墊圈.....	1
59	52A-59	Tension spring.....	緊線彈簧.....	1
60	52A-60	Tension crntrol nut.....	緊線控制螺帽.....	1
61	52A-61	Set screw 4.37.....	螺絲.....	1
62	52A-62	Tension release pin.....	調整栓.....	1
63	52A-63	Tension adjusting plate.....	調整連杆.....	1
64	52A-64	Set screw 3.57x5.....	螺絲.....	1
65	52A-65	Machine No.plate.....	標牌.....	1
66	52A-66	Fix Screw.....	銘牌釘.....	4
67	52A-67	Platina mark.....	銘牌.....	1
68	52A-68	Rubber plug.....	橡膠塞.....	1
69	52A-69	Frame.....	機頭.....	1
70	52A-70	E bed.....	底板.....	1

## B652-B

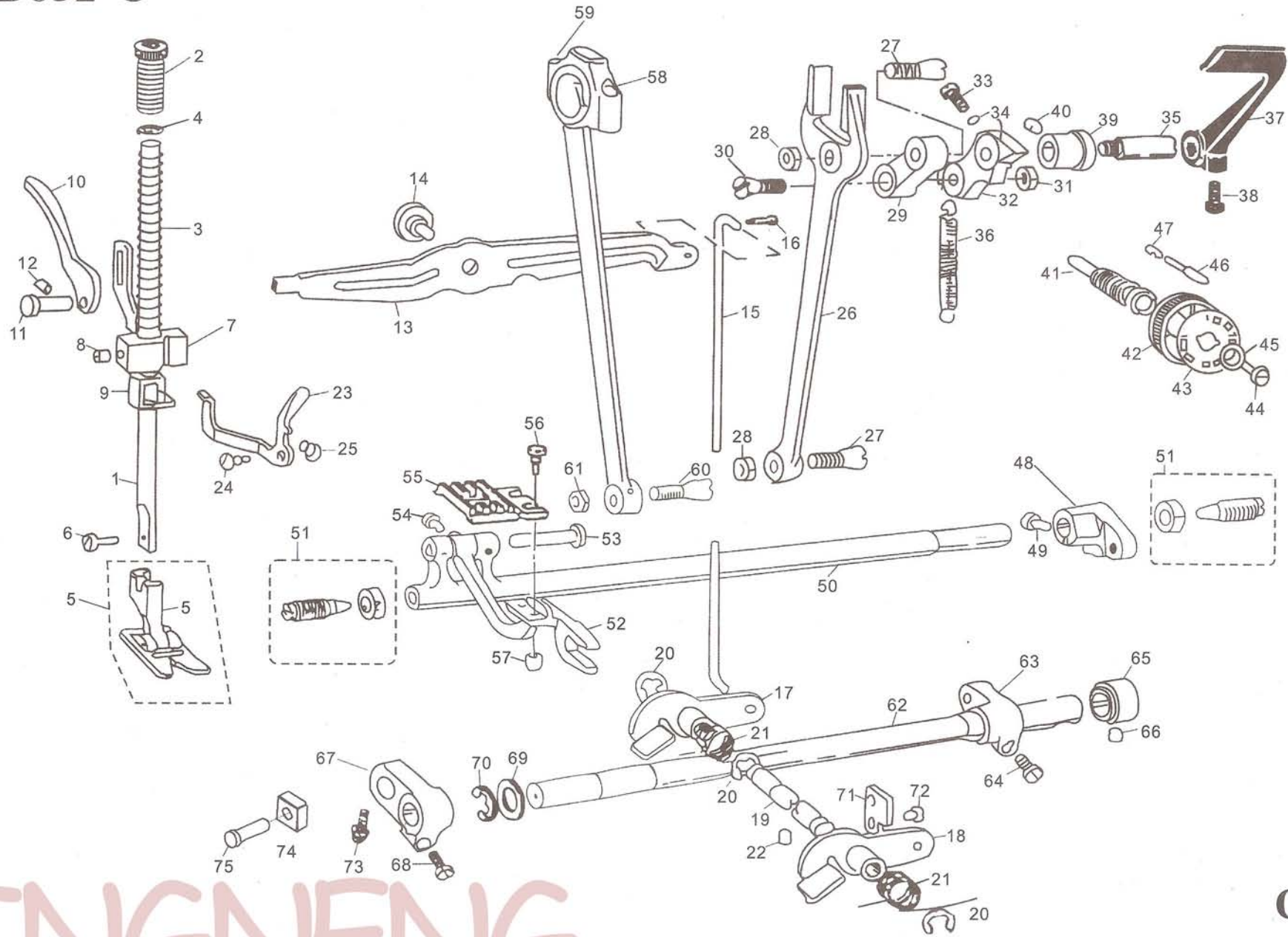


B



Ref.no.	PART no.	Name of part	部品名稱	Amt.req	Ref.no.	PART no.	Name of part	部品名稱	Amt.req	Ref.no.	PART no.	Name of part	部品名稱	Amt.req
1	52B-01	Upper shaft	主軸	1	37	52B-37	Set screw 6.35	螺絲	2	73	52B-73	Hook driving shaft bushing(rear)	下蓋軸後軸襯	1
2	52B-02	Upper shaft bushing left	主軸襯套(左)	1	38	52B-38	Feed cam	送料凸輪	1	74	52B-74	Set screw 4.37x12	螺絲	1
3	52B-03	Upper shaft bushing right	主軸襯套(右)	1	39	52B-39	Set screw 5.95	螺絲	2	75	52B-75	Hook driving shaft bushing(front)	下蓋軸前軸襯	1
4	52B-04	Counter weight	配重	1	40	52B-40	Upper shaft gear	齒輪	1	76	52B-76	Hook driving shaft collar	下蓋軸止推環	1
5	52B-05	Ser screw 7.14	螺絲	1	41	52B-41	Set screw 6.35	螺絲	2	77	52B-77	Set screw 6.35	螺絲	2
6	52B-06	Ser screw	螺絲	2	42	52B-42	Vertical shaft upper gear	垂直齒輪	1	78	52B-78A	Rotart hook assembly	梭總體	1
7	52B-07	Needle bar frame	針架	1	43	52B-43	Set screw	螺絲	2	79	52B-79	Rotart hook top spring	牛角	1
8	52B-08	Needle bar	針杆	1	44	52B-44	Vertical shaft	立軸	1	80	52B-80	Set screw 2.38	螺絲	1
9	52B-09	Eccentric shaft	離心棒	1	45	52B-45	Busing S	上送料襯套	1	81	52B-81	Needle guide	梭盒	1
10	52B-10A	Needle dar crank assembly	針棒轉動組	1	46	52B-46	Set screw	螺絲	1	82	52B-82	Set screw 4.37x10	螺絲	1
11	52B-11	Needle dar crnnecting stud	針棒轉動針	1	47	52B-47	Vertical shaft set collar	垂直螺環軸	1	83	52B-83	Bobbin case	梭殼	1
12	52B-12	Needle dar clamp	針棒套	1	48	52B-48	Set screw 6.35	螺絲	2	84	52B-84	Bobbin	梭子	1
13	52B-13	Ciamp screw4.37x5	夾緊螺絲	1	49	52B-49	Vertical shaft lower bushing	垂直軸下襯套	1	85	52B-85	Set collar	止推環	1
14	52B-14	Needle bar crank rod	針棒擺動杆	1	50	52B-50	Vertical shaft driving gear	驅動齒輪	1	86	52B-86	Setscrew	螺絲	1
15	52B-15	Thresd takd-up crank assen	天秤擺動組	1	51	52B-51	Set screw 6.35	螺絲	2	87	52B-87	Set screw 6.35	螺絲	1
16	52B-16	Needle bar crank	針棒曲杆	1	52	52B-52A	Lower shaft joint assembly	下軸連結裝置	1	88	52B-88	Cap screw	螺帽	1
17	52B-17	Cap.screw 3.57	螺帽	1	53	52B-53	Lower shaft	下軸	1	89	52B-89	Needle bar thread guide	邊綫器	1
18	52B-18	Thresd takd-up lever	天秤	1	54	52B-54	Lower shaft joint right	右邊連結下軸	1	90	52B-90	Set screw 2.38	螺絲	1
19	52B-19	Stud for thread take-up sup	定位梢	1	55	52B-55	Lower shaft joint left	左邊連結下軸	1	91	52B-91	Lower thread guide	過綫架(下)	1
20	52B-20	Stop screw 5.95	止付螺絲	1	56	52B-56	Set screw 6.35	螺絲	2	92	52B-92	Set screw 2.38	螺絲	1
21	52B-21	Support plate	支托盤	1	57	52B-57	Lower shaft driving gear	下軸驅動齒輪	1	93	52B-93	Set screw 2.38	螺絲	1
22	52B-22	Set screw 3.57x8	螺絲	2	58	52B-58	Set screw 6.35	螺絲	2					
23	52B-23	Guide plate	導盤	1	59	52B-59	Loter shaft bushing right	右邊連接襯套	1					
24	52B-24	Set screw 3.57x6	螺絲	2	60	52B-60	Set screw 4.37x12	螺絲	1					
25	52B-25	Guide plate	導盤	1	61	52B-61	loter shaft bushing left	左邊連接襯套	1					
26	52B-26	Set screw 3.57x8	螺絲	2	62	52B-62	Loter shaft set collar	鏈結螺絲環	1					
27	52B-27	Needle clamp	針柄	1	63	52B-63	Set screw 6.35	螺絲	2					
28	52B-28	Needle clamp screw 3.18	針柄螺絲	1	64	52B-64	Gear	齒輪	1					
29	52B-29	Needle DPx5#14	針 #14	1	65	52B-65	Set screw 6.35	螺絲	2					
30	52B-30	Pulley	滑輪	1	66	52B-66	Hook driving shaft gesr	下軸齒輪	1					
31	52B-31	Arm pully bushing	轉動滑輪臂	1	67	52B-67	Set screw 6.35	螺絲	2					
32	52B-32	Taper pin	細梢	1	68	52B-68	Loter shaft gear cover	齒輪連接蓋	1					
33	52B-33	Washer for stop motion	固定平墊圈	1	69	52B-69	Hook shaft gear cover	下軸齒輪蓋	1					
34	52B-34	Siop motion kmuried bsmd screw	固定螺絲	1	70	52B-70	Set screw	螺絲	1					
35	52B-35	Siop dcrew	螺絲(固定螺絲用)	1	71	52B-71	Set screw 3.57x	螺絲	1					
36	52B-36	Zigzag fear for upper shaft	齒輪固定軸	1	72	52B-72	Hook driving shaft	下蓋軸	1					

# B652-C

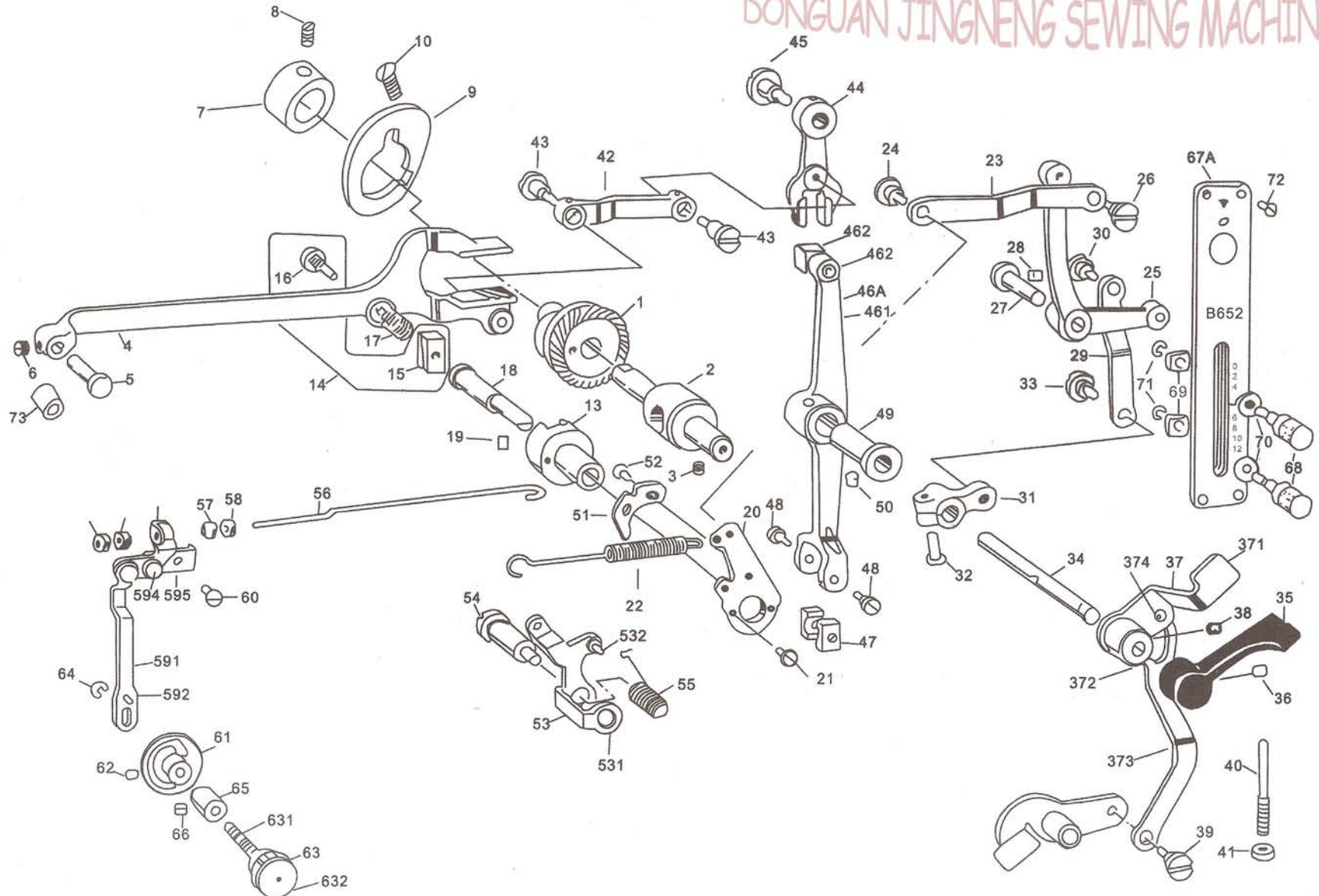


JINGNENG  
DONGUAN JINGNENG SEWING MACHINERY CO.,LTD



Ref.no.	PCRT no.	Name of part	部品名稱	Amt.req	Ref.no.	PCRT no.	Name of part	部品名稱	Amt.req
1	52C-01	Presser bar	壓腳軸	1	39	52C-39	Eccentric bushing	離心襯套	1
2	52C-02	Presser adjusting screw	壓緊螺絲	1	40	52C-40	Set screw 5.95	螺絲	1
3	52C-03	Presser spring	壓緊彈簧	1	41	52C-41	Length control screw	調節螺絲	1
4	52C-04	Presser spring washer	壓腳彈簧墊圈	1	42	52C-42	Length control	調節盤	1
5	52C-05	Presser foot complete(12mm)	壓腳座	1	43	52C-43	Length control plate	調節蓋	1
6	52C-06	Set screw 3.57X8	螺絲	1	44	52C-44	Set screw 4.76	螺絲	1
7	52C-07	Presser bar bracket	定位壓腳	1	45	52C-45	Washer	墊圈	1
8	52C-08	Set screw 5.95	螺絲	1	46	52C-46	Notch	梢	1
9	52C-09	Presser bar lifter bracker	壓腳頂出座	1	47	52C-47	Length spring	拉伸彈簧	1
10	52C-10	Presser bar lifter	壓腳提升杆	1	48	52C-48	Feed rook shaft arm	水平送料	1
11	52C-11	Presser bar lifter shaft	壓腳提升杆定位梢	1	49	52C-49	Set screw 4.37x12	螺絲	1
12	52C-12	Set screw 5.95	螺絲	1	50	52C-50	Feed rook shaft	水平送料軸	1
13	52C-13	Knee lifter	立標托架	1	51	52C-51	Center Point screw assembly	中心螺絲組	2
14	52C-14	Stud screw 6.35	螺絲	1	52	52C-52	Feed bar	送料搖杆	1
15	52C-15	Knee lifter connecting rod	拉杆托架連接臂	1	53	52C-53	Feed bar shaft	送料壹軸	1
16	52C-16	Cotter pin	固定梢	1	54	52C-54	Set screw 4.37x6	螺絲	1
17	52C-17	Knee lifter crank lower	拉杆托架曲軸	1	55	52C-55	Feed dog (12mm)	送料齒	1
18	52C-18	Zigzag crank lower	拉杆曲軸架	1	56	52C-56	Spare screw 3.18	上牙齒螺絲	2
19	52C-19	Knee lifter crank shaft	拉杆曲棒	1	57	52C-57	Nut 3.18	螺帽	2
20	52C-20	Stop ring E7	E卡環	3	58	52C-58	Crank rod	曲軸	1
21	52C-21	Spring	彈簧	2	59	52C-59	Set screw 4.76	螺絲	2
22	52C-22	Set screw 5.95	螺絲	2	60	52C-60	Taper screw	尖螺絲	1
23	52C-23	Tension release	調線板	1	61	52C-61	Nut 7.14	螺帽	1
24	52C-24	Set screw 3.57	螺絲	2	62	52C-62	Feed lifting rock shaft	小平送料拉杆	1
25	52C-25	Spring	彈簧	1	63	52C-63	Feed lifting rock shaft	水平送料拉杆組	1
26	52C-26	Feed forked connector	送料叉型連杆	1	64	52C-64	Set screw 4.37x12	螺絲	1
27	52C-27	Taper screw 7.14	螺絲釘	2	65	52C-65	Set collar right	右邊螺套	1
28	52C-28	Nut 7.14	六角螺帽	2	66	52C-66	Set screw 6.35	螺絲	1
29	52C-29	Feed regulator link	送料調節連杆	1	67	52C-67	Feed lifting arm	水平送料	1
30	52C-30	Taper screw 7.14	螺絲釘	1	68	52C-68	Set screw 4.37x12	螺絲	1
31	52C-31	Nut 7.14	六角螺帽	1	69	52C-69	Washer	平墊圈	1
32	52C-32	Feed regulator	送料調節杆	1	70	52C-70	Stop ring	塞圈	1
33	52C-33	Set screw 4.37X10	螺絲	2	71	52C-71	Stopper	塞子	1
34	52C-34	Pusher	支配棒	2	72	52C-72	Set screw 3.57x5	螺絲	2
35	52C-35	Feed regulator shaft	送料調節棒	1	73	52C-73	Set screw 4.37x10	螺絲	1
36	52C-36	Feed regulator shaft tension spring	送料調節彈簧	1	74	52C-74	Slide block	滑塊	1
37	52C-37	Direction control	倒縫控制杆	1	75	52C-75	Slide block shaft	滑塊梢	1
38	52C-38	Set screw 4.76	螺絲	1					

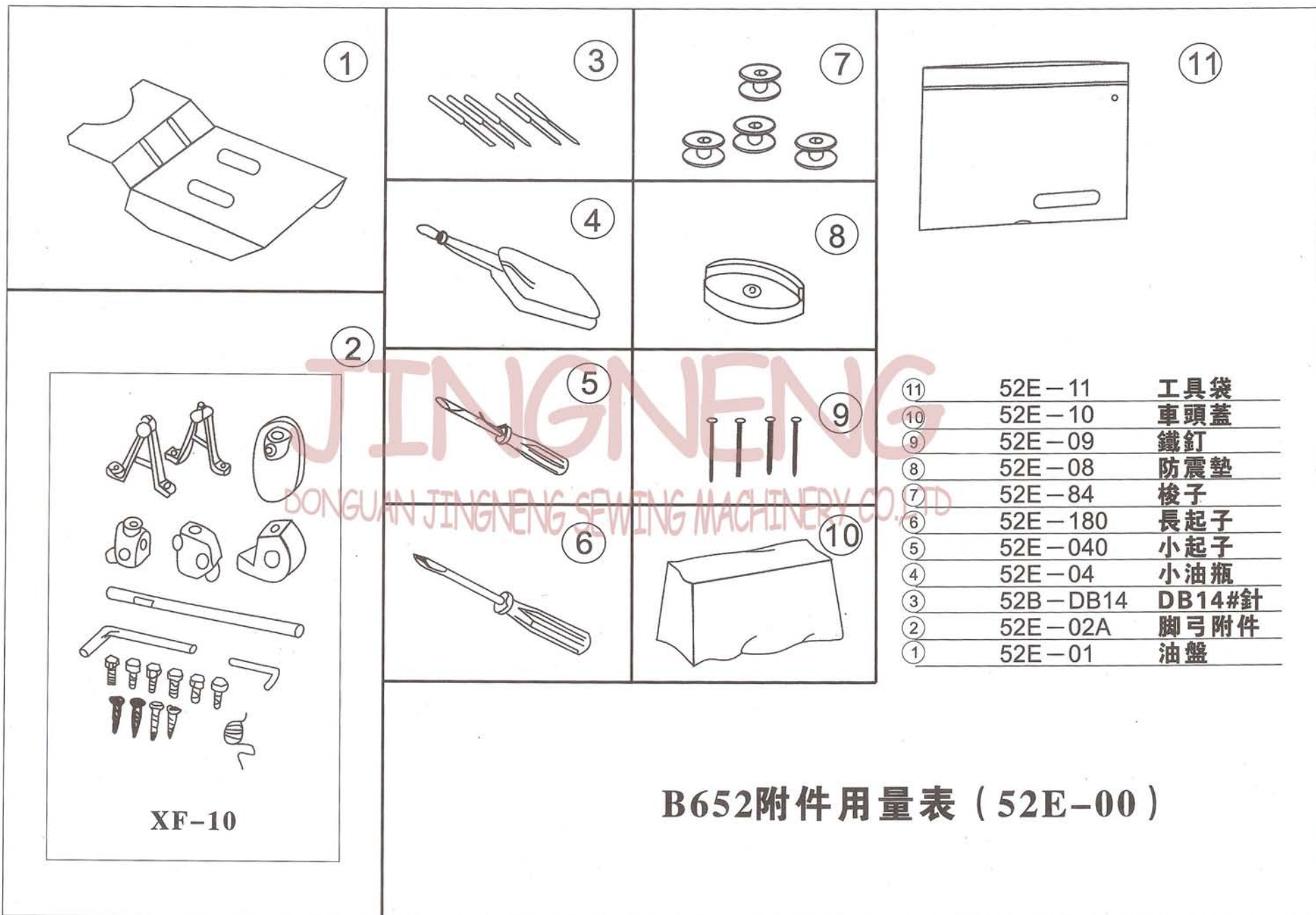
## B652-D



D



Ref.no.	PART no.	Name of part	部品名稱	Amt.req	Ref.no.	PART no.	Name of part	部品名稱	Amt.req
1	52D-01	Zigzag cam shaft gfar.....	齒輪轉動軸.....	1	38	52D-38	Set screw 6.35.....	螺絲.....	1
2	52D-02	Zigzag cam shaft.....	齒輪軸.....	1	39	52D-39	Sutd screw 4.37.....	螺絲.....	1
3	52D-03	Set screw 5.95.....	螺絲.....	1	40	52D-40	Stopper screw.....	塞子螺絲.....	1
4	52D-04	Zigzag forked connector.....	齒輪連杆.....	1	41	52D-41	Nut 5.95.....	六角螺帽.....	1
5	52D-05	Stud.....	螺栓.....	1	42	52D-42	Hook shaft timing link.....	下軸拉杆.....	1
6	52D-06	Set screw 6.35.....	螺絲.....	1	43	52D-43	Sutd screw 4.37.....	螺絲.....	2
7	52D-07	Set collar.....	螺套.....	1	44	52D-44	Hook shaft timing forked rod.....	下軸開叉連動杆.....	1
8	52D-08	Set screw 4.37.....	螺絲.....	2	45	52D-45	Sutd screw 5.95.....	螺絲.....	1
9	52D-09	Guide plate.....	導板.....	1	46	52D-46A	Hook shaft timing lever.....	下軸橫杆.....	1
10	52D-10	Set screw.....	螺絲.....	1	47	52D-47	Slide block.....	滑套.....	2
11	52D-11	Set screw 4.37x7.....	螺絲.....	1	48	52D-48	Stud screw.....	螺栓.....	2
12	52D-12	Set screw 4.37x10.....	螺絲.....	1	49	52D-49	Stud link.....	螺杆.....	1
13	52D-13	Zigzag regulator.....	齒輪調節器.....	1	50	52D-50	Set screw 5.95.....	螺絲.....	1
14	52D-14A	Slide block assembly.....	滑塊組.....	1	51	52D-51	Fixed cam.....	固定輪軸.....	1
15	52D-15	Slide block.....	滑塊.....	1	52	52D-52	Set screw 3.75x5.....	螺絲.....	2
16	52D-16	Slide block stup.....	滑塊螺栓.....	1	53	52D-53A	Fixed lever.....	固定橫杆.....	1
17	52D-17	Side block spring.....	滑塊彈簧.....	1	54	52D-54	Spare screw 4.76.....	螺絲.....	1
18	52D-18	Eccentric shafe.....	離心軸.....	1	55	52D-55	Spring.....	彈簧.....	1
19	52D-19	Set screw 5.95.....	螺絲.....	1	56	52D-56	Connecring link.....	送料連杆.....	1
20	52D-20	Lever.....	橫杆.....	1	57	52D-57	Nut 3.18.....	六角螺帽.....	2
21	52D-21	Set screw 3.57x8.....	螺絲.....	2	58	52D-58	Nut 3.18.....	六角螺帽.....	2
22	52D-22	Spring.....	彈簧.....	1	59	52D-59A	Fixed link.....	固定連杆.....	1
23	52D-23	Zigzag connecting link(A).....	A字型送料連杆.....	1	60	52D-60	Set screw 3.57.....	螺絲.....	1
24	52D-24	Stud screw 4.37.....	塔螺柱 #37.....	1	61	52D-61A	Fixed cam.....	固定凸輪軸.....	1
25	52D-25	Zigzag control lever.....	支配連杆.....	1	62	52D-62	Set screw 4.37.....	螺絲.....	1
26	52D-26	Set screw 4.37.....	螺絲.....	1	63	52D-63A	Fixed knod.....	固定螺柱.....	1
27	52D-27	Stud.....	螺栓.....	1	64	52D-64	Stop rink E3.....	E扣環.....	1
28	52D-28	Set screw 5.95.....	螺絲.....	1	65	52D-65	Bushing.....	軸套.....	1
29	52D-29	Zigzag connecting link(B).....	Z字型送料連杆.....	1	66	52D-66	Set screw 5.95.....	螺絲.....	1
30	52D-30	Set screw 4.37.....	螺絲.....	1	67	52D-67A	Zigzag control panel.....	Z型控制板.....	1
31	52D-31	Zigzag control arm.....	Z型控制臂.....	1	68	52D-68	Stopper screw.....	塞子螺絲.....	2
32	52D-32	Set screw 4.37x12.....	螺絲.....	1	69	52D-69	Square nut 6.35.....	螺帽.....	2
33	52D-33	Set screw 4.37.....	螺絲.....	1	70	52D-70	Washer.....	平墊圈.....	2
34	52D-34	Zigzag control shaft.....	Z型控制軸.....	1	71	52D-71	Stop ring E3.....	塞圈.....	2
35	52D-35	Zigzag width control lever.....	Z型控制杆.....	1	72	52D-72	Set screw 3.57.....	螺絲.....	2
36	52D-36	Set screw 5.95.....	螺絲.....	1	73	52D-73	Bush.....	軸套.....	1
37	52D-37A	Zigzag control lever arm.....	支配蓋裝置.....	1					



⑪	52E-11	工具袋
⑩	52E-10	車頭蓋
⑨	52E-09	鐵釘
⑧	52E-08	防震墊
⑦	52E-84	梭子
⑥	52E-180	長起子
⑤	52E-040	小起子
④	52E-04	小油瓶
③	52B-DB14	DB14#針
②	52E-02A	腳弓附件
①	52E-01	油盤

B652附件用量表 (52E-00)



## 編 序

首先感謝您選用本機器，為使本機器發揮最大功能，正確的操作方法是重要因素，在操作本機器前，請依照規定，在機器本身給油部位，適量的注入潤滑油，使機器運轉順暢，且延長其使用壽命。新機器及機器停用一段時間后重新啓用，請依上述方法給油，并用低速試運轉機器。

本機器在出廠前已做好嚴格測試，若使用上有任何問題，請速洽服務人員，我們將以最迅速熱誠的態度為您服務。

本公司本著精益求精的企業精神，不斷的研發改進，以提供您最得力好用的機器。

再次感謝您的惠顧，請繼續選用本品牌機器，并惠予指正。謝謝！

注：1.若有維修請購零件依零件冊所載明零件號碼。

2.本公司保有變更設計之權利。

## Introduction

We would like to thank you for using the machine. In order to make the most of the machine, it is important to properly implementing the operation suggestions. First, before using the machine, please infuse a proper amount of lubrication oil to the oil infusion position on the body. The step can help smooth the operation for the machine and at the same time extend the lifecycle. If you have stopped using the machine for sometime, it is also recommended to do the same step and test run the machine at low speed.

The machine has been given a strict quality control before shipping from the factory. Please contact our service personnel if you have any question with the machine. We shall be most sincere to serve you.

In order to provide you with the most useful machines, we have been improving our products. Thanks again for using our products <PLATINA> and we are looking forward to seeing you using our future products. We will appreciate and cherish your comments and feedback about our machines. Thank you.

P.S

◇1. Please buy spare parts for your maintenance. Please indicate the part numbers according to the part number date book.

◇2. The designs are subject to change without notice.